

GENERAL INFORMATION

Snake+[®]

Internally Threaded Screw Anchor

PRODUCT DESCRIPTION

The Snake+ anchor is an internally threaded, self-tapping screw anchor designed for performance in cracked and uncracked concrete. Suitable base materials include normal-weight concrete, sand-lightweight concrete and concrete over steel deck. The Snake+ screw anchor is installed into a drilled hole with a power tool and a Snake+ setting tool. After installation a steel element is threaded into the anchor body.

GENERAL APPLICATIONS AND USES

- Suspending conduit, cable trays and strut
- Interior applications/low level corrosion environment
- Tension zone areas
- Pipe supports
- Seismic and wind loading applications
- Fire sprinklers
- Suspended lighting

FEATURE AND BENEFITS

- + Cracked concrete approved alternative to a drop-in anchor
- + Designed for use in holes drilled with standard ANSI carbide drill bits
- + Anchor design allows for shallow embedment and mechanically interlocks with base material
- + Internally threaded anchor for easy adjustment and removability of threaded rod or bolt
- + Fast anchor installation with a powered impact wrench
- + Hammer not used for installation

APPROVALS AND LISTINGS

- International Code Council, Evaluation Service (ICC-ES), ESR-2272 for concrete. Code compliant with the 2015 IBC, 2015 IRC, 2012 IBC, 2012 IRC, 2009 IBC, 2009 IRC, 2006 IBC, and 2006 IRC.
- Tested in accordance with ACI 355.2 and ICC-ES AC193 for use in structural concrete under the design provisions of ACI 318-14 Chapter 17 or ACI 318-11/08 (Appendix D)
- Evaluated and qualified by an accredited independent testing laboratory for recognition in cracked and uncracked concrete including seismic and wind loading (Category 1 anchor)
- Evaluated and qualified by an accredited independent testing laboratory for reliability against brittle failure, e.g. hydrogen embrittlement
- Evaluated and qualified by an accredited independent testing laboratory for supplemental recognition in redundant fastening applications
- FM Global (Factory Mutual) - File No. 3038104 (see report for sizes)
www.approvalguide.com - Pipe hanger components for automatic sprinkler systems

GUIDE SPECIFICATIONS

CSI Divisions: 03 16 00 - Concrete Anchors and 05 05 09 - Post-Installed Concrete Anchors. Internally threaded anchors shall be Snake+ as supplied by DEWALT, Towson, MD. Anchors shall be installed in accordance with published instructions and the Authority Having Jurisdiction.

MATERIAL SPECIFICATIONS

Anchor Component	Specification
Anchor Body	Case hardened carbon steel
Plating	Zinc plating according to ASTM B633, SC1, Type III (Fe/Zn 5) Minimum plating requirements for Mild Service Condition

SECTION CONTENTS

General Information..... 1
 Material Specifications 1
 Installation Instructions 2
 Strength Design (SD)..... 3
 Performance Data 4
 Redundant Fastening 8
 Ordering Information..... 9



Snake+

INTERNAL THREAD VERSION

- Unified coarse thread (UNC)

ANCHOR MATERIALS

- Zinc plated carbon steel body

ANCHOR SIZE RANGE (TYP.)

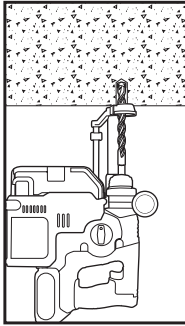
- 1/4", 3/8" and 1/2" diameters

SUITABLE BASE MATERIALS

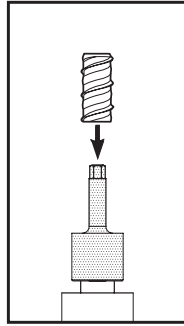
- Normal-weight concrete
- Sand-lightweight concrete
- Concrete over steel deck



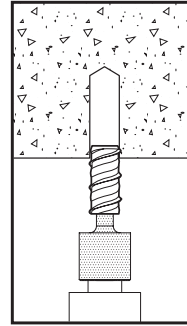
INSTALLATION INSTRUCTIONS



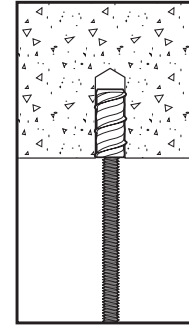
Step 1
Using the proper drill bit size, drill a hole into the base material to the required depth (e.g. dust extractor, hollow bit). The tolerances of the carbide drill bit used should meet the requirements of ANSI Standard B212.15.



Step 2
Select a powered impact wrench that does not exceed the maximum torque, T_{screw} , for the selected anchor diameter. Attach the Snake+ setting tool supplied by DEWALT to the impact wrench. Mount the anchor onto the setting tool.

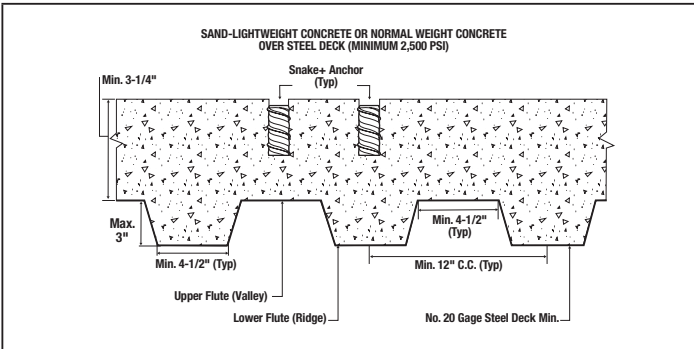


Step 3
Drive the anchor into the hole until the shoulder of the Snake+ setting tool comes into contact with the surface of the base material. Do not spin the setting tool off the anchor to disengage.



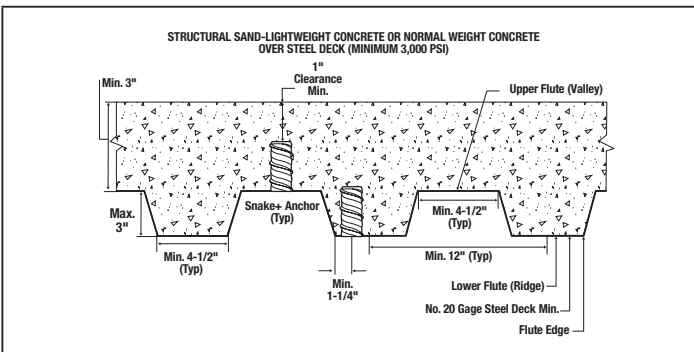
Step 4
Insert threaded rod or a bolt into the Snake+, taking care not to exceed the maximum specified tightening torque of the steel insert element, T_{max} . Minimum thread engagement should be at least one anchor diameter.

Installation Detail for Snake+ in the Topside of Concrete-Filled Steel Deck floor and Roof Assemblies¹



1. 3/8-inch diameter anchors may be placed in the topside of steel deck profiles provided the minimum topping thickness, minimum spacing distance and minimum edge distance are satisfied as given in the installation information table.

Installation Detail for Snake+ Installed in the Soffit of Concrete over Steel Deck floor and Roof Assemblies¹



1. Anchors may be placed in the upper flute or lower flute of the steel deck profiles provided in minimum hole clearance is satisfied. Anchors in the lower flute may be installed with a maximum 1-inch offset in either direction from the center of the flute. The offset distance may be increased proportionally for profiles with lower flute widths greater than those shown provided the minimum lower flute edge distance is also satisfied.

MECHANICAL ANCHORS
Snake+[®] Internally Threaded Screw Anchor

STRENGTH DESIGN (SD)

Installation Information for Snake+ Screw Anchor for Single Point Applications¹

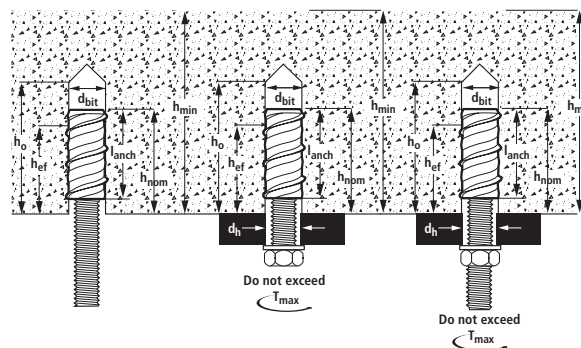
CODE LISTED
ICC-ES ESR-2272



Anchor Property/ Setting Information	Notation	Units	Nominal Anchor Size / Threaded Coupler Diameter (inch)		
			1/4	3/8	1/2
Nominal outside anchor diameter	$d_a(d_o)^3$	in. (mm)	0.375 (9.5)	0.500 (12.7)	0.750 (19.1)
Internal thread diameter (UNC)	d	in. (mm)	0.250 (6.4)	0.375 (9.5)	0.500 (12.7)
Minimum diameter of hole clearance in fixture for steel insert element (following anchor installation)	d_h	in.	5/16	7/16	9/16
Nominal drill bit diameter	d_{bit}	in.	3/8 ANSI	1/2 ANSI	3/4 ANSI
Minimum hole depth	h_o	in. (mm)	2 (51)	2 (51)	2-1/2 (64)
Overall anchor length	ℓ_{anch}	in. (mm)	1-1/4 (32)	1-1/4 (32)	1-11/16 (43)
Minimum nominal embedment depth ²	h_{nom}	in. (mm)	1-5/8 (41)	1-5/8 (41)	2-3/16 (55)
Effective embedment	h_{ef}	in. (mm)	Not Applicable ⁴	1.10 (28)	1.54 (39)
Maximum impact wrench power (torque)	T_{screw}	ft.-lb. (N-m)	120 (163)	345 (468)	345 (468)
Maximum tightening torque of steel insert element (threaded rod or bolt)	T_{max}	ft.-lb. (N-m)	4 (6)	8 (11)	36 (49)
Anchors Installed in Concrete Construction²					
Minimum member thickness ²	h_{min}	in. (mm)	Not Applicable ⁴	4 (102)	4 (102)
Critical edge distance ²	c_{ac}	in. (mm)	Not Applicable ⁴	3 (76)	4 (102)
Minimum edge distance ²	c_{min}	in. (mm)	Not Applicable ⁴	3 (76)	4 (102)
Minimum spacing distance ²	s_{min}	in. (mm)	Not Applicable ⁴	3 (76)	4 (102)
Anchors Installed in the Topside of Concrete-Filled Steel Deck Assemblies²					
Minimum member topping thickness	$h_{min,deck}$	in. (mm)	Not Applicable ⁴	3-1/4 (83)	Not applicable
Critical edge distance	$c_{ac,deck,top}$	in. (mm)	Not Applicable ⁴	3 (76)	Not applicable
Minimum edge distance	$c_{min,deck,top}$	in. (mm)	Not Applicable ⁴	3 (76)	Not applicable
Minimum spacing distance	$s_{min,deck,top}$	in. (mm)	Not Applicable ⁴	3 (76)	Not applicable

1. The information presented in this table is to be used in conjunction with the design criteria of ACI 318-14 Chapter 17 or ACI 318-11 Appendix D, as applicable.
2. For installations through the soffit of steel deck into concrete, see installation detail. Anchors in the lower flute may be installed with a maximum 1-inch offset in either direction from center of the flute. In addition, anchors shall have an axial spacing along the flute equal to the greater of $3h_{ef}$ or 1.5 times the flute width.
3. The notation in parenthesis is for the 2006 IBC.
4. The 1/4-inch diameter anchor is limited to redundant fastening design only.
5. For 3/8-inch diameters installed in the topside of concrete-filled steel deck assemblies, steel installation detail.

Dimensional Sketch for Snake+ Screw Anchor Installed with Steel Insert Element



PERFORMANCE DATA

Tension Design Information (For use with load combinations taken from ACI 318-14 Section 5.3 or ACI 318-11 Section 9.2)^{1,2}

CODE LISTED
ICC-ES ESR-2272



Design Characteristic	Notation	Units	Nominal Anchor Diameter	
			3/8 inch	1/2 inch
Anchor category	1, 2 or 3	-	1	1
Nominal embedment depth	h_{nom}	in. (mm)	1-5/8 (41)	2-3/16 (55)
STEEL STRENGTH IN TENSION¹				
Minimum specified yield strength of steel insert element	f_y	ksi (N/mm ²)	ASTM A36	36.0 (248)
			ASTM A193, Grade B7	105.0 (724)
Minimum specified ultimate strength of steel insert element	f_{uta}	ksi (N/mm ²)	ASTM A36	58.0 (400)
			ASTM A193, Grade B7	125.0 (862)
Effective tensile stress area of steel insert element	$A_{se, N}$ (A_{se}) ¹⁰	in ² (mm ²)	0.0775 (50)	0.1419 (92)
Steel strength in tension	N_{sa}	lb (kN)	ASTM A36	4,495 (20.0)
			ASTM A193, Grade B7	8,230 (37.0)
Reduction factor for steel strength ³	ϕ	-	0.65	
CONCRETE BREAKOUT STRENGTH IN TENSION³				
Effective embedment	h_{ef}	in. (mm)	1.10 (28)	1.54 (39)
Effectiveness factor for uncracked concrete	k_{ucr}	-	24	30
Effectiveness factor for cracked concrete	k_{cr}	-	17	24
Modification factor for cracked and uncracked concrete ⁵	$\psi_{c,N}$	-	Cracked concrete = 1.0 Uncracked concrete = 1.0	
Critical edge distance	c_{ac}	in. (mm)	3 (76)	4 (102)
Reduction factor for concrete breakout strength ³	ϕ	-	Condition B = 0.65	
PULLOUT STRENGTH IN TENSION (NON-SEISMIC APPLICATIONS)³				
Characteristic pullout strength, uncracked concrete (2,500 psi) ⁶	$N_{p,uncr}$	lb (kN)	See note 7	See note 7
Characteristic pullout strength, cracked concrete (2,500 psi) ⁶	$N_{p,cr}$	lb (kN)	See note 7	1,665 (7.4)
Reduction factor for pullout strength ³	ϕ	-	0.65 (Condition B)	
PULLOUT STRENGTH IN TENSION FOR SEISMIC APPLICATIONS³				
Characteristic pullout strength, seismic (2,500 psi) ⁶	$N_{p,eq}$	lb (kN)	See note 7	1,665 (7.4)
Reduction factor for pullout strength ³	ϕ	-	Condition B = 0.65	
PULLOUT STRENGTH IN TENSION FOR SOFFIT OF SAND-LIGHT WEIGHT AND NORMAL-WEIGHT CONCRETE OVER STEEL DECK				
Characteristic pullout strength, uncracked concrete over steel deck ^{6,9}	$N_{p,deck,uncr}$	lb (kN)	1,515 (6.7)	1,625 (7.2)
Characteristic pullout strength, cracked concrete over steel deck ^{6,9}	$N_{p,deck,cr}$	lb (kN)	1,075 (4.8)	1,300 (5.8)
Characteristic pullout strength, cracked concrete over steel deck, seismic ^{6,9}	$N_{p,deck,eq}$	lb (kN)	1,075 (4.8)	1,300 (5.8)
Reduction factor for pullout strength, concrete over steel deck ³	ϕ	-	Condition B = 0.65	

For SI: 1 inch = 25.4 mm, 1 ksi = 6.894 N/mm²; 1 lbf = 0.0044 kN.

- The data in this table is intended to be used with the design provisions of ACI 318-14 Chapter 17 or ACI 318-11 Appendix D, as applicable; for anchors resisting seismic load combinations the additional requirements of ACI 318-14 17.2.3 or ACI 318-11 D.3.3, as applicable, must apply.
- Installation must comply with published instructions and details.
- All values of ϕ were determined from the load combinations of IBC Section 1605.2, ACI 318-14 Section 5.3 or ACI 318-11 Section 9.2. If the load combinations ACI 318-11 Appendix C are used, the appropriate value of ϕ must be determined in accordance with ACI 318-11 D.4.4. For reinforcement that meets ACI 318-14 Chapter 17 or ACI 318-11 Appendix D, as applicable, requirements for Condition A, see ACI 318-14 17.3.3(c) or ACI 318-11 D.4.3(c), as applicable, for the appropriate ϕ factor.
- It is assumed that the threaded rod or bolt used with the Snake+ anchor is a ductile steel element with minimum specified properties as listed in the table or an equivalent steel element. The Snake+ anchor is considered a brittle steel element in tension as defined by ACI 318-14 2.3 or ACI 318-11D.1, as applicable. Tabulated values for steel strength in tension must be used for design.
- For all design cases use $\psi_{c,N} = 1.0$. The appropriate effectiveness factor for cracked concrete (k_{cr}) and uncracked concrete (k_{ucr}) must be used.
- For all design cases use $\psi_{c,p} = 1.0$. For concrete compressive strength greater than 2,500 psi, $N_{p,cr}$ (pullout strength from table) * (specified concrete compressive strength / 2,500)⁶. For concrete over steel deck the value of 2,500 must be replaced with the value of 3,000.
- Pullout strength does not control design of indicated anchors. Do not calculate pullout strength for indicated anchor size and embedment.
- Anchors are permitted to be used in lightweight concrete provided the modification factor λ_a equal to 0.8λ is applied to all values of $\sqrt{f'_c}$ affecting N_p and V_n . λ shall be determined in accordance with the corresponding version of ACI 318. For anchors installed in the soffit of sand-lightweight concrete-filled steel deck and floor and roof assemblies, further reduction of the pullout values provided is not required.
- Values for $N_{p,deck}$ are for sand-lightweight concrete ($f'_c, min = 3,000$ psi) and additional lightweight concrete reduction factors need not be applied. In addition, evaluation for the concrete breakout capacity in accordance with ACI 318-14 17.4.2 or ACI 318-11 D.5.2, as applicable, is not required for anchors installed in the deck soffit (flute).
- The notation in parenthesis is for the 2006 IBC.

MECHANICAL ANCHORS

Snake+[®]
Internally Threaded Screw Anchor

Shear Design Information (For use with load combinations taken from ACI 318-14 Section 5.3 or ACI 318-11 Section 9.2)^{1,2}

CODE LISTED
ICC-ES ESR-2272



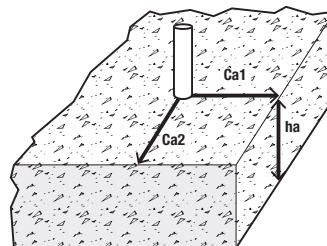
Design Characteristic	Notation	Units	Nominal Anchor Diameter		
			3/8 inch	1/2 inch	
Anchor category	1,2 or 3	-	1	1	
Nominal embedment depth	h_{nom}	in. (mm)	1-5/8 (41)	2-3/16 (55)	
STEEL STRENGTH IN SHEAR³					
Steel strength in shear ⁵	V_{sa}	lb (kN)	ASTM A36	770 (3.4)	1,995 (8.9)
			ASTM A193, Grade B7	1,655 (7.4)	-
Reduction factor for steel strength ³	ϕ	-	0.60		
CONCRETE BREAKOUT STRENGTH IN SHEAR⁶					
Nominal outside anchor diameter	$d_a(d_o)^{10}$	in. (mm)	0.500 (12.7)	0.750 (19.1)	
Load bearing length of anchor (h_{ef} or $8d_o$, whichever is less)	l_e	-	1.10 (28)	1.54 (39)	
Reduction factor for concrete breakout strength ³	ϕ	-	Condition B = 0.70		
PRYOUT STRENGTH IN SHEAR⁷					
Coefficient for prout strength (1.0 for $h_{ef} < 2.5$ in., 2.0 for $h_{ef} \geq 2.5$ in.)	k_{cp}	-	1.0	1.0	
Effective embedment	h_{ef}	in. (mm)	1.10 (28)	1.54 (39)	
Reduction factor for pullout strength ³	ϕ	-	Condition B = 0.70		
STEEL STRENGTH IN SHEAR FOR SEISMIC APPLICATIONS					
Steel strength in shear, seismic ⁷	$V_{sa,eq}$	lb (kN)	ASTM A36	770 (3.4)	1,995 (8.9)
			ASTM A193, Grade B7	1,655 (7.4)	-
Reduction factor for pullout strength ³	ϕ	-	Condition B = 0.60		
STEEL STRENGTH IN SHEAR FOR SOFFIT OF SAND-LIGHT WEIGHT AND NORMAL-WEIGHT CONCRETE OVER STEEL DECK⁸					
Steel strength in shear, concrete over steel deck ⁸	$V_{sa,deck}$	lb (kN)	ASTM A36	770 (3.4)	1,995 (8.9)
			ASTM A193, Grade B7	1,655 (7.4)	-
Steel strength in shear, concrete over steel deck, seismic ⁹	$V_{sa,deck,eq}$	lb (kN)	ASTM A36	770 (3)	1,995 (8.9)
			ASTM A193, Grade B7	1,655 (7.4)	-
Reduction factor for pullout strength ³	ϕ	-	Condition B = 0.60		

For SI: 1 inch = 25.4 mm, 1 lbf = 0.0044 kN.

- The data in this table is intended to be used with the design provisions of ACI 318-14 Chapter 17 or ACI 318-11 Appendix D, as applicable; for anchors resisting seismic load combinations the additional requirements of ACI 318-14 17.2.3 or ACI 318-11 D.3.3 shall apply.
- Installation must comply with published instructions and details.
- All values of ϕ were determined from the load combinations of IBC Section 1605.2, ACI 318-14 Section 5.3, or ACI 318-11 Section 9.2, as applicable. If the load combinations of ACI 318-11 Appendix C are used, the appropriate value of ϕ must be determined in accordance with ACI 318-11 D.4.4. For reinforcement that meets ACI 318-14 Chapter 17 or ACI 318-11 Appendix D, as applicable, requirements for Condition A, see ACI 318-14 17.3.3(c) or ACI 318-11 D.4.3(c), as applicable, for the appropriate ϕ factor.
- It is assumed that the threaded rod or bolt used with the Snake+ anchor will be a ductile steel element as defined by ACI 318-14 2.3 or ACI 318-11 D.1, as applicable.
- Tabulated values for steel strength in shear must be used for design. These tabulated values are lower than calculated results using equation 17.5.1.2b in ACI 318-14, D-29 in ACI 318-11, and ACI 318-14 17.5.1.2 or ACI 318-11 D.6.1.2, as applicable.
- Anchors are permitted to be used in lightweight concrete provided the modification factor λ_a equal to 0.8λ is applied to all values of $\sqrt{f'_c}$ affecting N_u and V_u . λ shall be determined in accordance with the corresponding version of ACI 318. For anchors installed in the soffit of sand-lightweight concrete-filled steel deck and floor and roof assemblies, further reduction of the pullout values provided is not required.
- Tabulated values for steel strength in shear are for seismic applications and based on test results in accordance with ACI 355.2 Section 9.6.
- Tabulated values for $V_{sa,deck}$ are for sand-lightweight concrete ($f'_c, \min = 3,000$ psi) and additional lightweight concrete reduction factors need not be applied. In addition, evaluation for the concrete breakout capacity in accordance with ACI 318-14 17.5.2 or ACI 318-11 D.6.2, as applicable, and the prout capacity in accordance with ACI 318-14 17.5.3 or ACI 318-11 D.6.3 are not required for anchors installed in the deck soffit (flute).
- Shear loads for anchors installed through steel deck into concrete may be applied in any direction.
- The notation in parenthesis is for the 2006 IBC.

Factored Design Strength (ϕN_n And ϕV_n) Calculated In Accordance With ACI 318-14 Chapter 17:

- 1- Tabular values are provided for illustration and are applicable for single anchors installed in normal-weight concrete with minimum slab thickness, $h_a = h_{min}$, and with the following conditions:
 - C_{a1} is greater than or equal to the critical edge distance, C_{ac} (table values based on $C_{a1} = C_{ac}$).
 - C_{a2} is greater than or equal to 1.5 times C_{a1} .
- 2- Calculations were performed according to ACI 318-14 Chapter 17. The load level corresponding to the controlling failure mode is listed. (e.g. For tension: steel, concrete breakout and pullout; For shear: steel, concrete breakout and pryout). Furthermore, the capacities for concrete breakout strength in tension and pryout strength in shear are calculated using the effective embedment values, h_{ef} , for the selected anchors as noted in the design information tables. Please also reference the installation specifications for more information.
- 3- Strength reduction factors (ϕ) were based on ACI 318-14 Section 5.3 for load combinations. Condition B is assumed.
- 4- Tabular values are permitted for static loads only, seismic loading is not considered with these tables.
- 5- For designs that include combined tension and shear, the interaction of tension and shear loads must be calculated in accordance with ACI 318-14 Chapter 17.
- 6- Interpolation is not permitted to be used with the tabular values. For intermediate base material compressive strengths please see ACI 318-14 Chapter 17. For other design conditions including seismic considerations please see ACI 318-14 Chapter 17.



Tension and Shear Design Strengths Installed in Cracked Concrete



Nominal Anchor Size (in.)	Nominal Embed. h_{nom} (in.)	Steel Insert Element (Threaded Rod or Bolt)	Minimum Concrete Compressive Strength, f'_c (psi)									
			2,500		3,000		4,000		6,000		8,000	
			ϕN_n Tension (lbs.)	ϕV_n Shear (lbs.)	ϕN_n Tension (lbs.)	ϕV_n Shear (lbs.)	ϕN_n Tension (lbs.)	ϕV_n Shear (lbs.)	ϕN_n Tension (lbs.)	ϕV_n Shear (lbs.)	ϕN_n Tension (lbs.)	ϕV_n Shear (lbs.)
3/8	1-5/8	ASTM A36	635	500	700	500	805	500	985	500	1,140	500
		ASTM A193 Grade B7	635	685	700	750	805	870	985	1,065	1,140	1,075
1/2	2-3/16	ASTM A36	1,080	1,295	1,185	1,295	1,370	1,295	1,675	1,295	1,935	1,295

■ - Anchor Pullout/Pryout Strength Controls
 ■ - Concrete Breakout Strength Controls
 ■ - Steel Strength Controls

Tension and Shear Design Strengths Installed in Uncracked Concrete



Nominal Anchor Size (in.)	Nominal Embed. h_{nom} (in.)	Steel Insert Element (Threaded Rod or Bolt)	Minimum Concrete Compressive Strength, f'_c (psi)									
			2,500		3,000		4,000		6,000		8,000	
			ϕN_n Tension (lbs.)	ϕV_n Shear (lbs.)	ϕN_n Tension (lbs.)	ϕV_n Shear (lbs.)	ϕN_n Tension (lbs.)	ϕV_n Shear (lbs.)	ϕN_n Tension (lbs.)	ϕV_n Shear (lbs.)	ϕN_n Tension (lbs.)	ϕV_n Shear (lbs.)
3/8	1-5/8	ASTM A36	900	500	985	500	1,140	500	1,395	500	1,610	500
		ASTM A193 Grade B7	900	970	985	1,060	1,140	1,075	1,395	1,075	1,610	1,075
1/2	2-3/16	ASTM A36	1,865	1,295	2,040	1,295	2,355	1,295	2,885	1,295	3,335	1,295

■ - Anchor Pullout/Pryout Strength Controls
 ■ - Concrete Breakout Strength Controls
 ■ - Steel Strength Controls

MECHANICAL ANCHORS

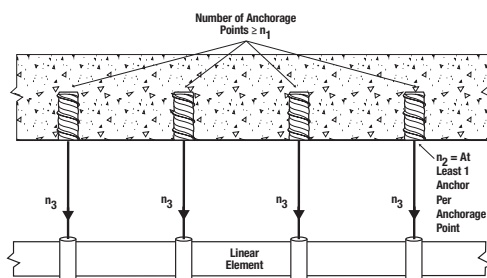
SLAKE+[®]
Internally Threaded Screw Anchor

REDUNDANT FASTENING APPLICATIONS

For an anchoring system designed with redundancy, the load maintained by an anchor that experiences failure or excessive deflection can be transmitted to neighboring anchors without significant consequences to the fixture or remaining resistance of the anchoring system. In addition to the requirements for anchors, the fixture being attached shall be able to resist the forces acting on it assuming one of the fixing points is not carrying load. It is assumed that by adhering to the limits placed on n_1 , n_2 and n_3 below, redundancy will be satisfied.

Anchors qualified for redundant applications may be designed for use in normal weight and sand-lightweight cracked and uncracked concrete. Concrete compressive strength of 2,500 psi shall be used for design. No increase in anchor capacity is permitted for concrete compressive strengths greater than 2,500 psi. The anchor installation is limited to concrete with a compressive strength of 8,500 psi or less.

Redundant applications shall be limited to structures assigned to Seismic Design Categories A or B only. Redundant applications shall be limited to support of nonstructural elements.



Strength Design (Redundant Fastening):

For strength design, a redundant system is achieved by specifying and limiting the following variables

n_1 = the total number of anchorage points supporting the linear element

n_2 = number of anchors per anchorage point

n_3 = factored load at each anchorage point, lbs., using load combinations from IBC Section 1605.2.1 or ACI 318-14 Section 5.3 or ACI 318 (-11,-08,-05) Section 9.2.

Allowable Stress Design (Redundant Fastening):

Design values for use with allowable stress design shall be established taking

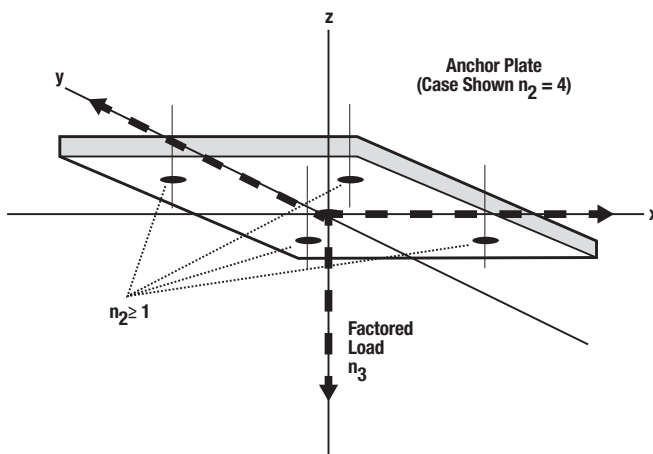
$$R_d, ASD = \frac{\phi_{ra} \cdot F_{ra}}{\alpha}$$

Where α is the conversion factor calculated as the weighted average of the load factors from the controlling load combination. The conversion factor, α is equal to 1.4 assuming all dead load.

Strength Design (SD)

Design values for use with strength design shall be established taking $\phi_{ra} \cdot F_{ra}$.

See redundant fastening design information table for Snake+ design resistance.



REDUNDANT FASTENING

Installation Information for Snake+ Screw Anchor in Redundant Fastening Applications

Anchor Property/ Setting Information	Notation	Units	Nominal Anchor Size / Threaded Coupler Diameter (inch)		
			1/4	3/8	1/2
Nominal drill bit diameter	C_{bit}	in.	3/8 ANSI	1/2 ANSI	3/4 ANSI
Nominal embedment depth	h_{nom}	in. (mm)	1-5/8 (41)	1-5/8 (41)	2-3/16 (55)
Effective embedment	h_{ef}	in. (mm)	1.10 (28)	1.10 (28)	1.54 (39)
Minimum hole depth	h_o	in. (mm)	2 (51)	2 (51)	2-1/2 (64)
Minimum concrete member thickness	h_{min}	in. (mm)	3 (76.2)	3 (76.2)	3 (76.2)
Overall anchor length	ℓ_{anch}	in. (mm)	1-1/4 (32)	1-1/4 (32)	1-11/16 (43)
Minimum edge distance, redundant fastening ¹	$C_{min} = C_{ac}$	in. (mm)	4 (102)	4 (102)	4 (102)
Minimum spacing distance, redundant fastening ¹	S_{min}	in. (mm)	8 (203)	8 (203)	8 (203)
Maximum tightening torque of steel insert element (threaded rod or bolt)	T_{max}	ft.-lb. (N-m)	4 (6)	8 (11)	36 (49)
Maximum impact wrench power (torque)	T_{screw}	ft.-lb. (N-m)	120 (163)	345 (468)	345 (468)

1. Tabulated minimum spacing and edge distances are applicable only for redundant fastening applications.

Redundant Fastening Design Information for Snake+ Anchors^{1,2,3}

Anchor Property/ Setting Information	Notation	Units	Nominal Anchor Size			
			1/4"	3/8"	1/2"	
Anchor category	1, 2 or 3	-	1	1	1	
Nominal embedment depth	h_{nom}	in. (mm)	1-5/8 (41)	1-5/8 (41)	2-3/16 (55)	
CHARACTERISTIC STRENGTH (RESISTANCE) INSTALLED IN CONCRETE^{4,5}						
Resistance, cracked or uncracked concrete (2,500psi)	F_{ra}	lb (kN)	Number of anchorage points		Number of anchorage points	
			$n_1 \geq 4$	$n_1 \geq 3$	$n_1 \geq 4$	$n_1 \geq 3$
			550 (2.5)	360 (1.6)	675 (3.0)	450 (2.0)
Strength reduction factor ³	ϕ_{ra}	-	0.65			
CHARACTERISTIC STRENGTH (RESISTANCE) FOR SAND-LIGHTWEIGHT AND NORMAL WEIGHT CONCRETE OVER STEEL DECK^{4,6}						
Resistance, cracked or uncracked concrete over steel deck (2,500 psi)	$F_{ra,deck}$	lb (kN)	Number of anchorage points		Number of anchorage points	
			$n_1 \geq 4$	$n_1 \geq 3$	$n_1 \geq 4$	$n_1 \geq 3$
			550 (2.5)	360 (1.6)	675 (3.0)	450 (2.0)
Strength reduction factor ³	ϕ_{ra}	-	0.65			

For SI: 1 inch = 25.4 mm, 1 lbf = 0.0044 kN.

- The data in this table is intended to be used with the design provisions of Section 4.3 of this report; loads may be applied in tension, shear or any combination thereof.
- Installation must comply with published instructions and this report.
- All values of ϕ were determined from the load combinations of IBC Section 1605.2, ACI 318-14 Section 5.3 or ACI 318 (-11, -08, -05) Section 9.2, as applicable.
- It is assumed that the threaded rod or bolt used with the Snake+ anchor has properties as listed in Tension Design Information table.
- Anchors are permitted to be used in lightweight concrete provided the design strength $\phi_{ra} F_{ra}$ is multiplied by the modification factor λ_a . The modification factor λ_a is equal to 0.8λ , λ shall be determined in accordance with the corresponding version of ACI 318. For anchors installed in the soffit of sand-lightweight concrete-filled steel deck and floor and roof assemblies, further reduction of the pullout values provided in not required.
- For installations through the soffit of steel deck into concrete see the installation detail. Anchors in the lower flute may be installed with a maximum 1-inch offset in either direction from center of the flute. In addition, anchors shall have an axial spacing along the flute equal to the greater of $3h_w$ or 1.5 times the flute width.

Ultimate Tension Load Capacities for Snake+ in Normal-Weight Uncracked Concrete^{1,2,3,4}

Nominal Anchor Diameter in.	Minimum Embedment Depth in. (mm)	Minimum Concrete Compressive Strength					
		f'c = 2,500 psi (17.2 MPa)		f'c = 3,000 psi (20.7 MPa)		f'c = 6,000 psi (41.4 MPa)	
		Tension lbs. (kN)	Shear lbs. (kN)	Tension lbs. (kN)	Shear lbs. (kN)	Tension lbs. (kN)	Shear lbs. (kN)
1/4	1-5/8 (41)	2,130 (9.5)	1,045 (4.6)	2,335 (10.4)	1,045 (4.6)	-	-
3/8	1-5/8 (41)	2,165 (9.7)	1,045 (4.6)	2,370 (10.6)	1,045 (4.6)	3,190 (14.2)	1,045 (4.6)
1/2	2-3/16 (55)	5,590 (24.9)	2,050 (9.1)	6,125 (27.3)	2,050 (9.1)	7,240 (32.0)	2,050 (9.1)

1. Tabulated load values are for anchors installed in concrete. Concrete compressive strength must be at the specified minimum at the time of installation.
2. Ultimate load capacities must be reduced by a minimum safety factor of 4.0 or greater to determine allowable working load.
3. The tabulated load values are applicable to single anchors in uncracked concrete installed at critical spacing distance between anchors and at critical edge distance.
4. Ultimate shear capacity is controlled by steel strength of ASTM A36 element (or equivalent).

ORDERING INFORMATION

Carbon Steel Snake+ Screw Anchor

Cat. No.	Anchor Size	Embedment	Internal Thread Depth	Std. Box ¹	Std. Ctn.
6400SD	1/4"	1-5/8"	11/32"	100	1,000
6401SD	3/8"	1-5/8"	23/32"	50	500
6403SD	1/2"	2-1/2"	15/16"	50	300

1. Each box comes with one free setting tool





Setting Tool for Snake+ Screw Anchor

Cat. No.	Anchor Size	Std. Ctn.
6402SD	1/4"	1
6407SD	3/8"	1
6404SD	1/2"	1



Suggested Impact Wrench

20V Max* Impact Wrenches		
1/4	DCF880M2 1/2" Impact Wrench	
3/8		
3/8	DCF894HP2 3/8 and 1/2" Impact Wrench High Torque	
1/2		

Ultimate Tension Load Capacities for Snake+ in Normal-Weight Uncracked Concrete^{1,2,3,4}

Nominal Anchor Diameter in.	Minimum Embedment Depth in. (mm)	Minimum Concrete Compressive Strength					
		f'c = 2,500 psi (17.2 MPa)		f'c = 3,000 psi (20.7 MPa)		f'c = 6,000 psi (41.4 MPa)	
		Tension lbs. (kN)	Shear lbs. (kN)	Tension lbs. (kN)	Shear lbs. (kN)	Tension lbs. (kN)	Shear lbs. (kN)
1/4	1-5/8 (41)	2,130 (9.5)	1,045 (4.6)	2,335 (10.4)	1,045 (4.6)	-	-
3/8	1-5/8 (41)	2,165 (9.7)	1,045 (4.6)	2,370 (10.6)	1,045 (4.6)	3,190 (14.2)	1,045 (4.6)
1/2	2-3/16 (55)	5,590 (24.9)	2,050 (9.1)	6,125 (27.3)	2,050 (9.1)	7,240 (32.0)	2,050 (9.1)

1. Tabulated load values are for anchors installed in concrete. Concrete compressive strength must be at the specified minimum at the time of installation.
2. Ultimate load capacities must be reduced by a minimum safety factor of 4.0 or greater to determine allowable working load.
3. The tabulated load values are applicable to single anchors in uncracked concrete installed at critical spacing distance between anchors and at critical edge distance.
4. Ultimate shear capacity is controlled by steel strength of ASTM A36 element (or equivalent).

ORDERING INFORMATION

Carbon Steel Snake+ Screw Anchor

Cat. No.	Anchor Size	Embedment	Internal Thread Depth	Std. Box ¹	Std. Ctn.
6400SD	1/4"	1-5/8"	11/32"	100	1,000
6401SD	3/8"	1-5/8"	23/32"	50	500
6403SD	1/2"	2-1/2"	15/16"	50	300

1. Each box comes with one free setting tool





Setting Tool for Snake+ Screw Anchor

Cat. No.	Anchor Size	Std. Ctn.
6402SD	1/4"	1
6407SD	3/8"	1
6404SD	1/2"	1



Suggested Impact Wrench

20V Max* Impact Wrenches		
1/4	DCF880M2 1/2" Impact Wrench	
3/8		
3/8	DCF894HP2 3/8 and 1/2" Impact Wrench High Torque	
1/2		

DIVISION: 03 00 00—CONCRETE
Section: 03 16 00—Concrete Anchors

DIVISION: 05 00 00—METALS
Section: 05 05 19—Post-Installed Concrete Anchors

REPORT HOLDER:

DEWALT

ADDITIONAL LISTEE:

POWERS FASTENERS

EVALUATION SUBJECT:

Snake+™ ANCHORS IN CRACKED AND UNCRACKED CONCRETE (DEWALT / POWERS)

1.0 EVALUATION SCOPE

Compliance with the following codes:

- 2018, 2015, 2012, and 2009 *International Building Code*® (IBC)
- 2018, 2015, 2012, and 2009 *International Residential Code*® (IRC)

For evaluation for compliance with codes adopted by Los Angeles Department of Building and Safety (LADBS), see [ESR-2272 LABC and LARC Supplement](#).

Property evaluated:

Structural

2.0 USES

The Snake+ anchor is used as anchorage to resist static, wind and seismic tension and shear loads in cracked and uncracked normal-weight concrete and lightweight concrete having a specified compressive strength, f'_c , of 2,500 psi to 8,500 psi (17.2 MPa to 58.6 MPa).

The 3/8-inch-diameter (9.5 mm) anchors may be installed in the topside of cracked and uncracked normal-weight or sand-lightweight concrete-filled steel deck having a minimum specified compressive strength, f'_c , of 2,500 psi to 8,500 psi (17.2 MPa to 58.6 MPa).

The 3/8-inch- and 1/2-inch-diameter (9.5 mm and 12.7 mm) anchors may be installed in the soffit of cracked and uncracked normal-weight or sand-lightweight concrete-filled steel deck having a minimum specified compressive strength, f'_c , of 3,000 psi (20.7 MPa).

The Snake+ anchors are an alternative to anchors described in Section 1901.3 of 2018 and 2015 IBC, Sections 1908 and 1909 of the 2012 IBC, and Sections

1911 and 1912 of the 2009 IBC. The anchors may also be used where an engineered design is submitted in accordance with Section R301.1.3 of the IRC.

3.0 DESCRIPTION

3.1 Snake+ Anchors:

Snake+ anchors are one-piece, internally threaded screw anchors which receive threaded steel inserts such as threaded rods and bolts in 3/8-inch and 1/2-inch diameters.

Product names for the report holder and the additional listee are presented in the following table.

COMPANY NAME	PRODUCT NAME
DEWALT	Snake+
Powers Fasteners	Snake+

Available nominal sizes are 3/8-inch and 1/2-inch. The anchors are manufactured from carbon steel, which are case hardened and have a minimum 0.0002-inch (5 μm) zinc plating in accordance with ASTM B633. The Snake+ anchor is illustrated in Figure 1.

The anchors are installed in predrilled holes with a powered impact wrench. The threads on the anchor body tap into the sides of the predrilled hole and interlock with the base material during installation.

3.2 Steel Insert Elements:

Threaded steel insert elements must be threaded into the Snake+ Anchors to form a connection. The material properties of the steel insert elements must comply with the minimum specifications as given in Table 2 of this report, or an equivalent.

3.3 Concrete:

Normal-weight and lightweight concrete must comply with Sections 1903 and 1905 of the IBC.

3.4 Steel Deck Panels:

Steel deck panels must comply with the configuration in Figure 4 and 5 and have a minimum base-metal thickness of 0.035 inch (0.89 mm) [No. 20 gage]. Steel must comply with ASTM A653/A653M SS Grade 36, and it must have a minimum yield strength of 36 ksi (248 MPa).

4.0 DESIGN AND INSTALLATION

4.1 Strength Design:

4.1.1 General: Design strength of anchors complying with 2018 and 2015 IBC, as well as Section R301.1.3 of the 2018 and 2015 IRC must be determined in accordance with ACI 318-14 and this report.

Design strength of anchors complying with the 2012 IBC, as well as Section R301.1.3 of the 2012 IRC, must be

determined in accordance with ACI 318-11 Appendix D and this report.

Design strength of anchors complying with the 2009 IBC, as well as Section R301.1.3 of the 2009 IRC, must be determined in accordance with ACI 318-08 Appendix D and this report.

A design example according to the 2018, 2015 and 2012 IBC is given in Figure 6 of this report.

Design parameters are based on the 2018 and 2015 IBC (ACI 318-14) and 2012 IBC (ACI 318-11) unless noted otherwise in Sections 4.1.1 through 4.1.12 of this report.

The strength design of anchors must comply with ACI 318-14 17.3.1 or ACI 318-11 D.4.1, as applicable, except as required in ACI 318-14 17.2.3 or ACI 318-11 D.3.3, as applicable. Strength reduction factors, ϕ , as given in ACI 318-14 17.3.3 or ACI 318-11 D.4.3, as applicable, and noted in Tables 2 and 3, must be used for load combinations calculated in accordance with Section 1605.2 of the IBC, Section 5.3 of ACI 318-14, or Section 9.2 of ACI 318-11, as applicable. Strength reduction factors, ϕ , described in ACI 318-11 D.4.4 must be used for load combinations calculated in accordance with Appendix C of ACI 318-11. Strength reduction factors, ϕ , corresponding to brittle steel elements must be used.

4.1.2 Requirements for Static Steel Strength in Tension, N_{sa} : The nominal static steel strength of a single anchor in tension, N_{sa} , calculated in accordance with ACI 318-14 17.4.1.2 or ACI 318-11 D.5.1.2, as applicable, is given in Table 2 of this report.

4.1.3 Requirements for Static Concrete Breakout Strength in Tension N_{cb} or N_{cbg} : The nominal concrete breakout strength of a single anchor or a group of anchors in tension, N_{cb} or N_{cbg} , respectively, must be calculated in accordance with ACI 318-14 17.4.2 or ACI 318-11 D.5.2, as applicable, with modifications as described in this section. The basic concrete breakout strength of a single anchor in tension, N_b , must be calculated in accordance with ACI 318-14 17.4.2.2 or ACI 318-11 D.5.2.2, as applicable, using the values of h_{ef} and K_{cr} as given in Table 2 of this report. The nominal concrete breakout strength in tension in regions where analysis indicates no cracking in accordance with ACI 318-14 17.4.2.6 or ACI 318-11 D.5.2.6, as applicable, must be calculated with the value of K_{uncr} as given in Table 2 and with $\psi_{c,N} = 1.0$.

For anchors installed in the soffit of sand-lightweight or normal-weight concrete filled steel deck floor and roof assemblies, as shown in Figure 5, calculation of the concrete breakout strength in accordance with ACI 318-14 17.4.2 or ACI 318-11 D.5.2, as applicable, is not required.

4.1.4 Requirements for Static Pullout Strength in Tension, N_{pn} : The nominal pullout strength of a single anchor in cracked and uncracked concrete, $N_{p,cr}$ and $N_{p,uncr}$, respectively, in accordance with ACI 318-14 17.4.3 or ACI 318-11 D.5.3, as applicable, is provided in Table 2.

The nominal pullout strength in tension of the anchors installed in the soffit of sand-lightweight or normal-weight concrete filled steel deck floor and roof assemblies, as shown in Figure 5, is provided in Table 2. In accordance with ACI 318-14 17.4.3.2 or ACI 318-11 D.5.3.2, as applicable, the nominal pullout strength in cracked concrete must be calculated according to Eq-1:

$$N_{p,f_c} = N_{p,deck,cr} \sqrt{\frac{f_c}{3,000}} \quad (\text{lb, psi}) \quad (\text{Eq-1})$$

$$N_{p,f_c} = N_{p,deck,cr} \sqrt{\frac{f_c}{20.7}} \quad (\text{N, MPa})$$

where f_c is the specified concrete compressive strength.

In regions where analysis indicates no cracking in accordance with ACI 318-14 17.4.3.6 or ACI 318-11 D.5.3.6, as applicable, the nominal pullout strength in tension can be adjusted by calculation according to Eq-2:

$$N_{p,f_c} = N_{p,deck,uncr} \sqrt{\frac{f_c}{3,000}} \quad (\text{lb, psi}) \quad (\text{Eq-2})$$

$$N_{p,f_c} = N_{p,deck,uncr} \sqrt{\frac{f_c}{20.7}} \quad (\text{N, MPa})$$

where f_c is the specified concrete compressive strength.

4.1.5 Requirements for Static Steel Shear Capacity, V_{sa} : The nominal steel strength in shear, V_{sa} , of a single anchor in accordance with ACI 318-14 17.5.1.2 ACI 318-11 D.6.1.2, as applicable, is given in Table 3 of this report and must be used in lieu of the values derived by calculation from ACI 318-14 Eq. 17.5.1.2b, ACI 318-11 or Eq. D-29, as applicable.

The shear strength, $V_{sa,deck}$, of anchors installed in the soffit of sand-lightweight or normal-weight concrete filled steel deck floor and roof assemblies, as shown in Figure 5, is given in Table 3.

4.1.6 Requirements for Static Concrete Breakout Strength in Shear, V_{cb} or V_{cbg} : The nominal concrete breakout strength of a single anchor or group of anchors in shear, V_{cb} or V_{cbg} , respectively, must be calculated in accordance with ACI 318-14 17.5.2 or ACI 318-11 D.6.2, as applicable, with modifications as described in this section. The basic concrete breakout strength of a single anchor in shear, V_b , must be calculated in accordance with ACI 318-14 17.5.2.2 or ACI 318-11 D.6.2.2, as applicable, using the value of l_e and d_a given in Table 3 of this report.

For anchors installed in the topside of concrete-filled steel deck assemblies, as shown in Figure 4, the nominal concrete breakout strength of a single anchor or group of anchors in shear, V_{cb} or V_{cbg} , respectively, must be calculated in accordance with ACI 318-14 17.5.2 or ACI 318-11 D.6.2, as applicable, using the actual member thickness, $h_{min,deck}$, in the determination of A_{vc} . Minimum member topping thickness for anchors in the topside of concrete-filled steel deck assemblies is given in Table 1 of this report.

For anchors installed in the soffit of sand-lightweight or normal-weight concrete filled steel deck floor and roof assemblies, as shown in Figure 5, calculation of the concrete breakout strength in accordance with ACI 318-14 17.5.2 or ACI 318-11 D.6.2 is not required.

4.1.7 Requirements for Static Concrete Pryout Strength in Shear, V_{cp} or V_{cpg} : The nominal concrete pryout strength of a single anchor or group of anchors, V_{cp} or V_{cpg} , respectively, must be calculated in accordance with ACI 318-14 17.5.3 or ACI 318-11 D.6.3, as applicable, modified by using the value of K_{cp} described in Table 3 of this report and the value of N_{cb} or N_{cbg} as calculated in Section 4.1.3 of this report.

For anchors installed in the soffit of sand-lightweight or normal-weight concrete-filled steel deck floor and roof assemblies, as shown in Figure 5, calculation of the concrete pryout strength in accordance with ACI 318-14 17.5.3 or ACI 318-11 D.6.3, as applicable, is not required.

4.1.8 Requirements for Seismic Design:

4.1.8.1 General: For load combinations including seismic loads, the design must be performed in accordance with ACI 318-14 17.2.3 or ACI 318-11 D.3.3, as applicable. Modifications to ACI 318-14 17.2.3 shall be applied under Section 1905.1.8 of the 2018 and 2015 IBC. For the 2012 IBC, Section 1905.1.9 shall be omitted. Modifications to

ACI 318-08 D.3.3 shall be applied under Section 1908.1.9 of the 2009 IBC.

The nominal steel strength and nominal concrete breakout strength for anchors in tension, and the nominal concrete breakout strength and pryout strength for anchors in shear, must be calculated according to ACI 318-14 17.4 and 17.5 or ACI 318-11 D.5 and D.6, respectively, as applicable, taking into account the corresponding values given in Tables 2 and 3 of this report.

The anchors comply with ACI 318-14 2.3 or ACI 318-11 D.1, as applicable, as brittle steel elements and must be designed in accordance with ACI 318-14 17.2.3.4, 17.2.3.5, 17.2.3.6 or 17.2.3.7; ACI 318-11 D.3.3.4, D.3.3.5, D.3.3.6 or D.3.3.7; ACI 318-08 D.3.3.5 or D.3.3.6; or ACI 318-05 D.3.3.5, as applicable. Strength reduction factors, ϕ , are given in Table 2 and Table 3.

The 3/8-inch and 1/2-inch anchors may be installed in regions designated as IBC Seismic Design Categories A through F.

4.1.8.2 Seismic Tension: The nominal steel strength and nominal concrete breakout strength for anchors in tension must be calculated according to ACI 318-14 17.4.1 and 17.4.2 or ACI 318-11 D.5.1 and D.5.2, respectively, as applicable, as described in Sections 4.1.3 and 4.1.4 of this report. In accordance with ACI 318-14 17.4.3.2 or ACI 318-11 D.5.3.2, as applicable, the appropriate value for pullout strength in tension for seismic loads, $N_{p,eq}$ or $N_{p,deck,eq}$, described in Table 2 of this report, must be used in lieu of N_p . $N_{p,eq}$ or $N_{p,deck,eq}$ may be adjusted by calculations for concrete compressive strength in accordance with Eq-1 of this report.

Where values for $N_{p,eq}$ are not provided in Table 2, the pullout strength in tension for seismic loads need not be evaluated.

4.1.8.3 Seismic Shear: The nominal concrete breakout strength and pryout strength for anchors in shear must be calculated according to ACI 318-14 17.5.2 and 17.5.3 or ACI 318-11 D.6.2 and D.6.3, respectively, as applicable, as described in Sections 4.1.6 and 4.1.7 of this report. In accordance with ACI 318-14 17.5.1.2 or ACI 318-11 D.6.1.2, as applicable, the appropriate value for nominal steel strength in shear for seismic loads, $V_{sa,eq}$ or $V_{sa,deck,eq}$, described in Table 3 of this report, must be used in lieu of V_{sa} .

4.1.9 Requirements for the Interaction of Tensile and Shear Forces: Anchors or groups of anchors that are subject to the effects of combined axial (tensile) and shear forces must be designed in accordance with ACI 318-14 17.6 or ACI 318-11 D.7, as applicable.

4.1.10 Requirements for Critical Edge Distance, c_{ac} : In applications where $c < c_{ac}$ and supplemental reinforcement to control splitting of the concrete is not present, the concrete breakout strength in tension for uncracked concrete, calculated according to ACI 318-14 17.4.2 or ACI 318-11 D.5.2, as applicable, must be further multiplied by the factor $\psi_{cp,N}$ given by Eq-3:

$$\psi_{cp,N} = \frac{c}{c_{ac}} \tag{Eq-3}$$

whereby the factor $\psi_{cp,N}$ need not be taken less than $\frac{1.5h_{ef}}{c_{ac}}$.

For all other cases, $\psi_{cp,N} = 1.0$. In lieu of using ACI 318-14 17.7.6 or ACI 318-11 D.8.6, values of c_{ac} provided in Table 2 of this report must be used.

4.1.11 Requirements for Minimum Member Thickness, Minimum Anchor Spacing and Minimum Edge Distance: In lieu of ACI 318-14 17.7.1 and 17.7.3 or ACI

318-11 D.8.1 and D.8.3, respectively, as applicable, values of s_{min} and C_{min} must comply with Table 1 of this report. In lieu of ACI 318-14 17.7.5 or ACI 318-11 D.8.5, as applicable, the minimum member thicknesses, h_{min} , as given in Table 1 must be used.

For anchors installed in the topside of concrete-filled steel deck assemblies, the anchors must be installed in accordance with Table 1 and Figure 4.

For anchors installed through the soffit of steel deck assemblies, the anchors must be installed in accordance with Figure 5 and must have an axial spacing along the flute equal to the greater of $3h_{ef}$ or 1.5 times the flute width.

4.1.12 Lightweight Concrete: For the use of anchors in lightweight concrete, the modification factor λ_a equal to 0.8λ is applied to all values of $\sqrt{f'_c}$ affecting N_n and V_n .

For ACI 318-14 (2018 and 2015 IBC), ACI 318-11 (2012 IBC) and ACI 318-08 (2009 IBC), λ shall be determined in accordance with the corresponding version of ACI 318.

For anchors installed in the soffit of sand-lightweight concrete-filled steel deck and floor and roof assemblies, further reduction of the pullout values provided in this report is not required.

4.2 Allowable Stress Design (ASD):

4.2.1 General: Where design values for use with allowable stress design load combinations in accordance with Section 1605.3 of the IBC are required, these are calculated using Eq-4 and Eq-5 as follow:

$$T_{allowable,ASD} = \phi N_n / \alpha \tag{Eq-4}$$

$$V_{allowable,ASD} = \phi V_n / \alpha \tag{Eq-5}$$

where:

$T_{allowable,ASD}$ = Allowable tension load (lbf or kN)

$V_{allowable,ASD}$ = Allowable shear load (lbf or kN)

ϕN_n = Lowest design strength of an anchor or anchor group in tension as determined in accordance with ACI 318-14 Chapter 17 and 2018 and 2015 IBC Section 1905.1.8, ACI 318-11 Appendix D, ACI 318-08 Appendix D and 2009 IBC Section 1908.1.9, as applicable (lbf or kN). For the 2012 IBC, Section 1905.1.9 shall be omitted.

ϕV_n = Lowest design strength of an anchor or anchor group in shear as determined in accordance with ACI 318-14 Chapter 17 and IBC 2018 and 2015 Section 1905.1.8, ACI 318-11 Appendix D, ACI 318-08 Appendix D and 2009 IBC Section 1908.1.9, as applicable (lbf or kN). For the 2012 IBC, Section 1905.1.9 shall be omitted.

α = Conversion factor calculated as a weighted average of the load factors for the controlling load combination. In addition, α must include all applicable factors to account for nonductile failure modes and required over-strength.

The requirements for member thickness, edge distance and anchor spacing, described in this report, must apply. An example of allowable stress design tension values for illustrative purposes is shown in Table 4.

4.2.2 Interaction of Tensile and Shear Forces: The interaction must be calculated and consistent with ACI

318-14 17.6 or ACI 318 (-11, -08) D.7, as applicable, as follows:

For shear loads $V_{applied} \leq 0.2V_{allowable,ASD}$, the full allowable load in tension $T_{allowable,ASD}$ must be permitted.

For tension loads $T_{applied} \leq 0.2T_{allowable,ASD}$, the full allowable load in shear $V_{allowable,ASD}$ must be permitted.

For all other cases: $\frac{T_{applied}}{T_{allowable,ASD}} + \frac{V_{applied}}{V_{allowable,ASD}} \leq 1.2$ (Eq-6)

4.3 Installation:

Installation parameters are provided in Table 1, and Figures 2, 3, 4, and 5. The Snake+ anchor must be installed according to manufacturer's published installation instructions and this report. Anchors must be installed in holes drilled into concrete using carbide-tipped masonry drill bits complying with ANSI B212.15-1994. The drill bit size and drilled hole depth must be in accordance with Table 1. The anchors must be installed in drilled holes with a powered impact screwdriver and fitted with a Snake+ setting tool supplied by DEWALT / Powers Fasteners. The allowable ranges of installation parameters for the Snake+ anchors using powered impact screwdriver are given in Table 1. The anchors must be driven until the shoulder of the Snake+ setting tool comes into contact with the surface of the concrete. The minimum thread engagement of a threaded rod or bolt insert element assembly into the Snake+ anchor must be full anchor depth.

For installation in the topside of concrete-filled steel deck assemblies, installation must comply with Figure 4.

For installation in the soffit of concrete-filled steel deck assemblies, the hole in the steel deck may not be more than $\frac{1}{8}$ inch (3.2 mm) larger than the diameter of the hole in the concrete. Member thickness and edge distance restrictions for installations in the soffit of concrete-filled steel deck assemblies must comply with Figure 5.

4.4 Special Inspection:

Special inspection is required in accordance with Section 1705.1.1 and Table 1705.3 of the 2018, 2015 and 2012 IBC, or Section 1704.15 and Table 1704.4 of the 2009 IBC. The special inspector must make periodic inspections during anchor installation to verify anchor type, anchor dimensions, concrete type, concrete compressive strength, hole dimensions, drill bit size, anchor spacing, edge distances, concrete thickness, anchor embedment and adherence to the manufacturer's printed installation instructions. The special inspector must be present as often as required in accordance with the "Statement of Special Inspection".

5.0 CONDITIONS OF USE

The Snake+ anchors described in this report are suitable alternatives to what is specified in, those codes indicated in Section 1.0 of this report, subject to the following conditions:

- 5.1 The anchors must be installed in accordance with the manufacturer's published installation instructions and this report. In case of conflict, this report governs.
- 5.2 Anchor sizes, dimensions and minimum embedment depths are as set forth in this report.
- 5.3 Anchors must be installed in cracked and uncracked normal-weight concrete and lightweight concrete having a specified compressive strength, f'_c , of 2,500 psi to 8,500 psi (17.2 MPa to 58.6 MPa), and cracked and uncracked normal-weight or sand-lightweight concrete over steel deck having a minimum specified compressive strength, f'_c , of 3,000 psi (20.7 MPa).

- 5.4 The $\frac{3}{8}$ -inch (9.5 mm) anchors may be installed in the topside of cracked and uncracked normal-weight or sand-lightweight concrete-filled steel deck having a minimum specified compressive strength f'_c , of 2,500 psi to 8,500 psi (17.2 MPa to 58.6 MPa).
- 5.5 The values of f'_c used for calculation purposes must not exceed 8,000 psi (55.1 MPa); for redundant fastening (nonstructural) the values of f'_c used for calculation purposes must equal 2,500 psi (17.2 MPa).
- 5.6 Strength design values must be established in accordance with Section 4.1 of this report.
- 5.7 Allowable stress design values must be established in accordance with Section 4.2 of this report.
- 5.8 Redundant fastening design values must be established in accordance with Section 4.3 of this report.
- 5.9 Anchor spacing and edge distance, as well as minimum member thickness, must comply with Table 1 and Figures 4 and 5 of this report.
- 5.10 Prior to installation, calculations and details demonstrating compliance with this report must be submitted to the code official. The calculations and details must be prepared by a registered design professional where required by the statutes of the jurisdiction in which the project is to be constructed.
- 5.11 Since an ICC-ES acceptance criteria for evaluating data to determine the performance of screw anchors subjected to fatigue or shock loading is unavailable at this time, the use of these anchors under such conditions is beyond the scope of this report.
- 5.12 Anchors may be installed in regions of concrete where cracking has occurred or where analysis indicates cracking may occur ($f_t > f_r$), subject to the conditions of this report.
- 5.13 The $\frac{3}{8}$ -inch- and $\frac{1}{2}$ -inch-diameter anchors may be used to resist short-term loading due to wind or seismic forces (Seismic Design Categories A through F under the IBC), subject to the conditions of this report.
- 5.14 Anchors are not permitted to support fire-resistance-rated construction. Where not otherwise prohibited by the code, anchors are permitted for installation in fire-resistance-rated construction provided that at least one of the following conditions is fulfilled:
 - Anchors are used to resist wind or seismic forces only.
 - Anchors that support gravity load-bearing structural elements are within a fire-resistance-rated envelope or a fire-resistance-rated membrane, are protected by approved fire-resistance-rated materials, or have been evaluated for resistance to fire exposure in accordance with recognized standards.
 - Anchors are used to support nonstructural elements.
- 5.15 Snake+ anchors must not be removed from concrete and reused.
- 5.16 Anchors have been evaluated for reliability against brittle failure and found to be not significantly sensitive to stress-induced hydrogen embrittlement.
- 5.17 Special inspection must be provided in accordance with Section 4.5 of this report.

5.18 Use of anchors is limited to dry, interior locations.

5.19 Anchors are manufactured under an approved quality-control program with inspections by ICC-ES.

6.0 EVIDENCE SUBMITTED

Data in accordance with the ICC-ES Acceptance Criteria for Mechanical Anchors in Concrete Elements (AC193), dated October 2017 (editorially revised April 2018), which incorporates requirements in ACI 355.2-07 / ACI 355.2-04, for use in cracked and uncracked concrete; including optional suitability tests 12 and 13 (AC193, Table 4.2) for seismic tension and shear; and quality control documentation.

7.0 IDENTIFICATION

7.1 The Snake+ anchors are identified in the field by their dimensional characteristics and packaging. Packages are identified with the anchor name, part number, type, size, the company name as set forth in Section 3.1 of this report, and the evaluation report number (ESR-2272).

7.2 The report holder’s contact information is the following:

DEWALT
701 EAST JOPPA ROAD
TOWSON, MARYLAND 21286
(800) 524-3244
www.DEWALT.com
anchors@DEWALT.com

7.3 The Additional Listee’s contact information is the following:

POWERS FASTENERS
701 EAST JOPPA ROAD
TOWSON, MARYLAND 21286
(800) 524-3244
www.powers.com
engineering@powers.com

TABLE 1—SNAKE+ ANCHOR INSTALLATION SPECIFICATIONS¹

Anchor Property / Setting Information	Symbol	Units	Nominal Anchor Size / Threaded Coupler Diameter (inch)	
			³ / ₈	¹ / ₂
Nominal outside anchor diameter	<i>d_a</i>	in.	0.500	0.750
Internal thread diameter (UNC)	<i>d</i>	in.	0.375	0.500
Minimum diameter of hole clearance in fixture for steel insert element (following anchor installation)	<i>d_h</i>	in.	⁷ / ₁₆	⁹ / ₁₆
Nominal drill bit diameter	<i>d_{bit}</i>	in.	¹ / ₂ ANSI	³ / ₄ ANSI
Minimum nominal embedment depth ²	<i>h_{nom}</i>	in.	¹ ⁵ / ₈	² ³ / ₁₆
Effective embedment	<i>h_{ef}</i>	in.	1.10	1.54
Minimum hole depth	<i>h_{hole}</i>	in.	2	² ¹ / ₂
Overall anchor length	<i>ℓ_{anch}</i>	in.	¹ ¹ / ₄	¹ ¹¹ / ₁₆
Maximum impact screwdriver power (torque)	<i>T_{screw}</i>	ft.-lb.	345	345
Maximum tightening torque of steel insert element (threaded rod or bolt)	<i>T_{max}</i>	ft.-lb.	8	36
Anchors Installed in Concrete Construction²				
Minimum member thickness ²	<i>h_{min}</i>	in.	4	4
Critical edge distance ²	<i>c_{ac}</i>	in.	3	4
Minimum edge distance ²	<i>c_{min}</i>	in.	3	4
Minimum spacing distance ²	<i>s_{min}</i>	in.	3	4
Anchors installed in the Topside of Concrete-filled Steel Deck Assemblies⁵				
Minimum member topping thickness	<i>h_{min,deck}</i>	in.	³ ¹ / ₄	Not applicable
Critical edge distance	<i>c_{ac,deck,top}</i>	in.	3	Not applicable
Minimum edge distance	<i>c_{min,deck,top}</i>	in.	3	Not applicable
Minimum spacing distance	<i>s_{min,deck,top}</i>	in.	3	Not applicable

For SI: 1 inch = 25.4 mm, 1 ft-lb = 1.356 N-m.

¹The information presented in this table is to be used in conjunction with the design criteria of ACI 318-14 Chapter 17 or ACI 318-11 Appendix D, as applicable.

²For installations through the soffit of steel deck into concrete, see Figure 5. Anchors in the lower flute may be installed with a maximum 1-inch offset in either direction from center of the flute. In addition, anchors shall have an axial spacing along the flute a minimum 1.5 times the flute width.

³For ³/₈-inch diameter anchors installed in the topside of concrete-filled steel deck assemblies, see Figure 4 of this report.



FIGURE 1—SNAKE+ SCREW ANCHOR AND SETTING TOOL

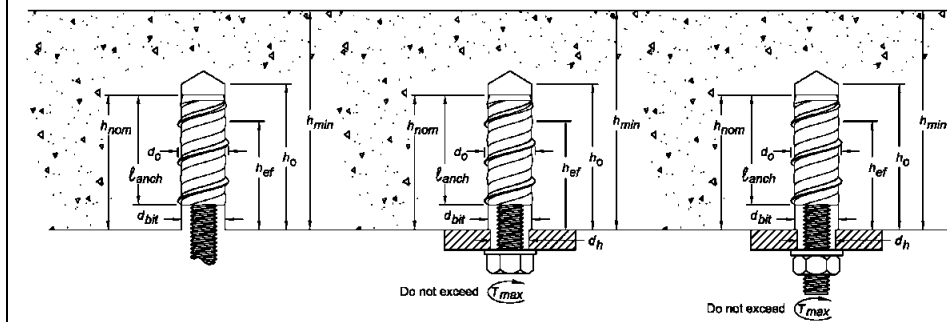


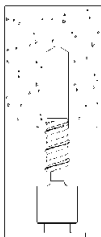
FIGURE 2—SNAKE+ SCREW ANCHOR INSTALLED WITH STEEL INSERT ELEMENT



1. Using the proper drill bit size, drill a hole into the base material to the required depth (e.g. dust extractor, hollow bit). The tolerances of the carbide drill bit used should meet the requirements of ANSI Standard B212.15.



2. Select a powered impact wrench that does not exceed the maximum torque, T_{screw} , for the selected anchor diameter. Attach the Snake+ setting tool to the impact wrench. Mount the anchor onto the setting tool.

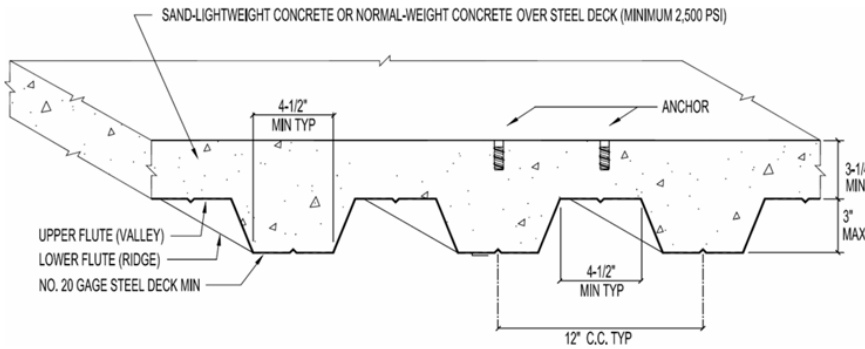


3. Drive the anchor into the hole to the required embedment until the shoulder of the Snake+ setting tool comes into contact with the surface of the base material. Do not spin the setting tool off the anchor to disengage.



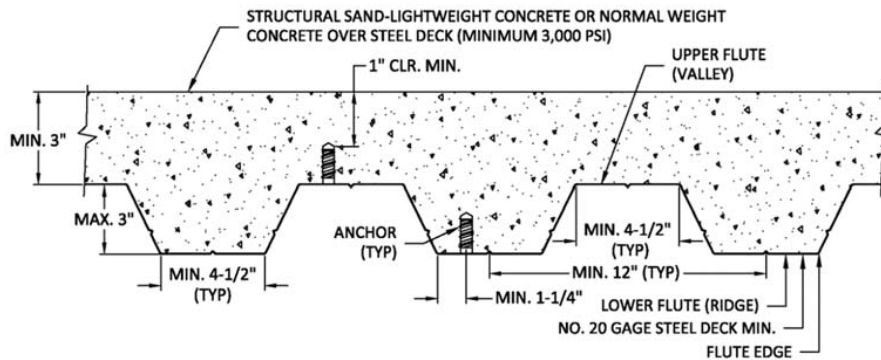
4. Insert threaded rod or a bolt into the Snake+, taking care not to exceed the maximum specified tightening torque of the steel insert element, T_{max} . Minimum thread engagement must be full anchor depth.

FIGURE 3—SNAKE+ SCREW ANCHOR INSTALLATION INSTRUCTIONS



¹ 3/8-inch diameter anchors may be placed in the topside of floor or roof steel deck profiles provided the minimum topping thickness, minimum spacing distance and minimum edge distance are satisfied as given in Table 1 of this report.

FIGURE 4—SNAKE+ INSTALLATION DETAIL FOR ANCHORS IN THE TOPSIDE OF CONCRETE-FILLED STEEL DECK ASSEMBLIES¹



¹ Anchors may be placed in the upper or lower flute of floor or roof steel deck profiles provided the minimum hole clearance is satisfied. Anchors in the lower flute may be installed with a maximum 1-inch offset in either direction from the center of the flute. The offset distance may be increased proportionally for profiles with lower flute widths greater than those shown provided the minimum lower flute edge distance is also satisfied.

FIGURE 5—SNAKE+ INSTALLATION DETAIL FOR ANCHORS IN THE SOFFIT OF CONCRETE OVER STEEL DECK ASSEMBLIES¹

TABLE 2—TENSION DESIGN INFORMATION FOR SNAKE+ ANCHORS IN CONCRETE
(For use with load combinations taken from ACI 318-14, Section 5.3 or ACI 318-11, Section 9.2)^{1,2}

Design Characteristic	Notation	Units	Nominal Anchor Size / Threaded Coupler Diameter (in.)					
			³ / ₈ inch		¹ / ₂ inch			
Anchor category	1, 2 or 3	-	1		1			
Nominal embedment depth	h_{nom}	in.	1 ⁵ / ₈		2 ³ / ₁₆			
STEEL STRENGTH IN TENSION⁴								
Minimum specified yield strength of steel insert element (threaded rod or bolt)	f_y	ksi	ASTM A36	36.0	ASTM A193, Gr. B7	105.0	ASTM A36	36.0
Minimum specified ultimate strength of steel insert element (threaded rod or bolt)	f_{uta}	ksi	ASTM A36	58.0	ASTM A193, Gr. B7	125.0	ASTM A36	58.0
Effective tensile stress area of steel insert element (threaded rod or bolt)	$A_{se,N}$	in ²	0.0318			0.1419		
Steel strength in tension	N_{sa}	lbf	ASTM A36	4,495	ASTM A193, Gr. B7	9,685	ASTM A36	8,230
Reduction factor for steel strength ³	ϕ	-	0.65					
CONCRETE BREAKOUT STRENGTH IN TENSION⁸								
Effective embedment	h_{ef}	in.	1.10		1.54			
Effectiveness factor for uncracked concrete	k_{uncr}	-	24		30			
Effectiveness factor for cracked concrete	k_{cr}	-	17		24			
Modification factor for cracked and uncracked concrete ⁵	$\Psi_{c,N}$	-	1.0 (see note 5)		1.0 (see note 5)			
Critical edge distance (uncracked concrete only)	c_{ac}	in.	3		4			
Reduction factor for concrete breakout strength ³	ϕ	-	0.65 (Condition B)					
PULLOUT STRENGTH IN TENSION⁸								
Characteristic pullout strength, uncracked concrete (2,500 psi)	$N_{p,uncr}$	lbf	See note 7		See note 7			
Characteristic pullout strength, cracked concrete (2,500 psi)	$N_{p,cr}$	lbf	See note 7		1,665			
Reduction factor for pullout strength ³	ϕ	-	0.65 (Condition B)					
PULLOUT STRENGTH IN TENSION FOR SEISMIC APPLICATIONS⁸								
Characteristic pullout strength, seismic (2,500 psi)	$N_{p,eq}$	lbf	See note 7		1,665			
Reduction factor for pullout strength, seismic ³	ϕ	-	0.65 (Condition B)					
PULLOUT STRENGTH IN TENSION FOR SOFFIT OF SAND-LIGHTWEIGHT AND NORMAL WEIGHT CONCRETE OVER STEEL DECK								
Characteristic pullout strength, uncracked concrete over steel deck ^{6,9}	$N_{p,deck,uncr}$	lbf	1,515		1,625			
Characteristic pullout strength, cracked concrete over steel deck ^{6,9}	$N_{p,deck,cr}$	lbf	1,075		1,300			
Characteristic pullout strength, concrete over steel deck, seismic ^{6,9}	$N_{p,deck,eq}$	lbf	1,075		1,300			
Reduction factor for pullout strength, concrete over steel deck ³	ϕ	-	0.65 (Condition B)					
Mean axial stiffness values service load range ¹⁰	Uncracked concrete	β	10 ³ lbf/in.	2800		545		
	Cracked concrete	β	10 ³ lbf/in.	900		160		

For SI: 1 inch = 25.4 mm, 1 ksi = 6.894 N/mm²; 1 lbf = 0.0044 kN.

¹The data in this table is intended to be used with the design provisions of ACI 318-14 Chapter 17 or ACI 318-11 Appendix D, as applicable; for anchors resisting seismic load combinations the additional requirements of ACI 318-14 17.2.3 or ACI 318-11 D.3.3, as applicable, must apply.

²Installation must comply with published instructions and details.

³All values of ϕ were determined from the load combinations of IBC Section 1605.2, ACI 318-14 Section 5.3 or ACI 318-11 Section 9.2. If the load combinations ACI 318-11 Appendix C are used, the appropriate value of ϕ must be determined in accordance with ACI 318-11 D.4.4. For reinforcement that meets ACI 318-14 Chapter 17 or ACI 318-11 Appendix D, as applicable, requirements for Condition A, see ACI 318-14 17.3.3(c) or ACI 318-11 D.4.3(c), as applicable, for the appropriate ϕ factor.

⁴It is assumed that the threaded rod or bolt used with the Snake+ anchor is a ductile steel element with minimum specified properties as listed in the table or an equivalent steel element. The Snake+ anchor is considered a brittle steel element in tension as defined by ACI 318-14 2.3 or ACI 318-11D.1, as applicable. Tabulated values for steel strength in tension must be used for design.

⁵For all design cases use $\Psi_{c,N} = 1.0$. The appropriate effectiveness factor for cracked concrete (k_{cr}) and uncracked concrete (k_{uncr}) must be used.

⁶For all design cases use $\Psi_{c,P} = 1.0$. For calculation of $N_{p,N}$, see Section 4.1.4 of this report.

⁷Pullout strength does not control design of indicated anchors. Do not calculate pullout strength for indicated anchor size and embedment.

⁸Anchors are permitted to be used in lightweight concrete in accordance with Section 4.1.12 of this report.

⁹Values for $N_{p,deck}$ are for sand-lightweight concrete ($f'_{c,min} = 3,000$ psi) and additional lightweight concrete reduction factors need not be applied. In addition, evaluation for the concrete breakout capacity in accordance with ACI 318-14 17.4.2 or ACI 318-11 D.5.2, as applicable, is not required for anchors installed in the deck soffit (flute).

¹⁰Mean values shown actual stiffness varies considerably depending on concrete strength, loading and geometry of application.

TABLE 3—SHEAR DESIGN INFORMATION FOR SNAKE+ ANCHORS IN CONCRETE
(For use with load combinations taken from ACI 318-14, Section 5.3 or ACI 318-11, Section 9.2)^{1,2}

Design Characteristic	Notation	Units	Nominal Anchor Size / Threaded Coupler Diameter (in.)					
			³ / ₈ inch		¹ / ₂ inch			
Anchor category	1, 2 or 3	-	1		1			
Nominal embedment depth	h_{nom}	in.	1 ⁵ / ₈		2 ³ / ₁₆			
STEEL STRENGTH IN SHEAR⁴								
Steel strength in shear ⁵	V_{sa}	lbf	ASTM A36	770	ASTM A193, Gr. B7	1,655	ASTM A36	1,995
Reduction factor for steel strength ³	ϕ	-	0.60					
CONCRETE BREAKOUT IN SHEAR⁶								
Load bearing length of anchor	ℓ_e	in.	1.10		1.54			
Nominal outside anchor diameter	d_a	in.	0.500		0.750			
Reduction factor for concrete breakout strength ³	ϕ	-	0.70 (Condition B)					
PRYOUT STRENGTH IN SHEAR⁶								
Coefficient for prout strength	k_{cp}	-	1.0		1.0			
Effective embedment	h_{ef}	in.	1.10		1.54			
Reduction factor for prout strength ³	ϕ	-	0.70 (Condition B)					
STEEL STRENGTH IN SHEAR FOR SEISMIC APPLICATIONS								
Steel strength in shear, seismic ⁷	$V_{sa,eq}$	lbf	ASTM A36	770	ASTM A193, Gr. B7	1,655	ASTM A36	1,995
Reduction factor for steel strength in shear, seismic ³	ϕ	-	0.60					
STEEL STRENGTH IN SHEAR FOR SOFFIT OF SAND-LIGHTWEIGHT AND NORMAL WEIGHT CONCRETE OVER STEEL DECK⁹								
Steel strength in shear, concrete over steel deck ⁸	$V_{sa,deck}$	lbf	ASTM A36	770	ASTM A193, Gr. B7	1,655	ASTM A36	1,995
Steel strength in shear, concrete over steel deck, seismic ⁸	$V_{sa,deck,eq}$	lbf	ASTM A36	770	ASTM A193, Gr. B7	1,655	ASTM A36	1,995
Reduction factor for steel strength in shear, concrete over steel deck ³	ϕ	-	0.60					

For SI: 1 inch = 25.4 mm, 1 lbf = 0.0044 kN.

¹The data in this table is intended to be used with the design provisions of ACI 318-14 Chapter 17 or ACI 318-11 Appendix D, as applicable; for anchors resisting seismic load combinations the additional requirements of ACI 318-14 17.2.3 or ACI 318-11 D.3.3 shall apply.

²Installation must comply with published instructions and details.

³All values of ϕ were determined from the load combinations of IBC Section 1605.2, ACI 318-14 Section 5.3, or ACI 318-11 Section 9.2, as applicable. If the load combinations of ACI 318-11 Appendix C are used, the appropriate value of ϕ must be determined in accordance with ACI 318-11 D.4.4. For reinforcement that meets ACI 318-14 Chapter 17 or ACI 318-11 Appendix D, as applicable, requirements for Condition A, see ACI 318-14 17.3.3(c) or ACI 318-11 D.4.3(c), as applicable, for the appropriate ϕ factor.

⁴It is assumed that the threaded rod or bolt used with the Snake+ anchor will be a ductile steel element as defined by ACI 318-14 2.3 or ACI 318-11 D.1, as applicable.

⁵Tabulated values for steel strength in shear must be used for design. These tabulated values are lower than calculated results using equation 17.5.1.2b in ACI 318-14, D-29 in ACI 318-11, and ACI 318-14 17.5.1.2 or ACI 318-11 D.6.1.2, as applicable.

⁶Anchors are permitted to be used in lightweight concrete in accordance with Section 4.1.12 of this report.

⁷Tabulated values for steel strength in shear are for seismic applications and based on test results in accordance with ACI 355.2 Section 9.6.

⁸Tabulated values for $V_{sa,deck}$ are for sand-lightweight concrete ($f'_{c,min} = 3,000$ psi) and additional lightweight concrete reduction factors need not be applied. In addition, evaluation for the concrete breakout capacity in accordance with ACI 318-14 17.5.2 or ACI 318-11 D.6.2, as applicable, and the prout capacity in accordance with ACI 318-14 17.5.3 or ACI 318-11 D.6.3 are not required for anchors installed in the deck soffit (flute).

⁹Shear loads for anchors installed through steel deck into concrete may be applied in any direction.

TABLE 4—EXAMPLE ALLOWABLE STRESS DESIGN VALUES FOR ILLUSTRATIVE PURPOSES^{1,2,3,4,5,6,7,8,9}

Nominal Anchor Size (inches)	Steel Insert Element (ASTM) ¹⁰	Nominal Embedment Depth (inches)	Effective Embedment (inches)	Allowable Tension Load (pounds)
³ / ₈	A36	1 ⁵ / ₈	1.10	610
	A193, Gr. B7	1 ⁵ / ₈	1.10	610
¹ / ₂	A 36	2 ³ / ₁₆	1.54	1,260

For SI: 1 inch = 25.4 mm, 1 lbf = 0.0044 kN.

¹Single anchor with static tension load only.

²Concrete determined to remain uncracked for the life of the anchorage.

³Load combinations are taken from ACI 318-14 Section 5.3 or ACI 318-11 Section 9.2, as applicable (no seismic loading).

⁴Assumes 30% dead load and 70% live load, controlling load combination 1.2D + 1.6L.

⁵Calculation of weighted average for conversion factor $\alpha = 1.2(0.3) + 1.6(0.7) = 1.48$.

⁶ $f'_c = 2,500$ psi (normal weight concrete).

⁷ $C_{a1} = C_{a2} \geq C_{ac}$.

⁸ $h \geq h_{min}$.

⁹Values are for Condition B where supplementary reinforcement in accordance with ACI 318-14 17.3.3(c) or ACI 318-11 D.4.3(c), as applicable, is not provided.

¹⁰The threaded rod or bolt used with the Snake+ anchor must have the minimum specified properties as listed in Table 2 or an equivalent steel element.

DIVISION: 03 00 00—CONCRETE
Section: 03 16 00—Concrete Anchors

DIVISION: 05 00 00—METALS
Section: 05 05 19—Post-Installed Concrete Anchors

REPORT HOLDER:**DEWALT****EVALUATION SUBJECT:****SNAKE+™ ANCHORS IN CRACKED AND UNCRACKED CONCRETE (DEWALT / POWERS)****1.0 REPORT PURPOSE AND SCOPE****Purpose:**

The purpose of this evaluation report supplement is to indicate that Snake+ anchors in cracked and uncracked concrete, described in ICC-ES master evaluation report [ESR-2272](#), have also been evaluated for compliance with the codes noted below as adopted by the Los Angeles Department of Building and Safety (LADBS).

Applicable code editions:

- 2017 *City of Los Angeles Building Code* (LABC)
- 2017 *City of Los Angeles Residential Code* (LARC)

2.0 CONCLUSIONS

The Snake+ anchors in cracked and uncracked concrete, described in Sections 2.0 through 7.0 of the master evaluation report [ESR-2272](#), comply with the LABC Chapter 19, and the LARC, and are subject to the conditions of use described in this supplement.

3.0 CONDITIONS OF USE

The Snake+ anchors in cracked and uncracked concrete described in this evaluation report must comply with all of the following conditions:

- All applicable sections in the master evaluation report [ESR-2272](#).
- The design, installation, conditions of use and identification of the anchors are in accordance with the 2015 *International Building Code*® (2015 IBC) provisions noted in the master evaluation report [ESR-2272](#).
- The design, installation and inspection are in accordance with additional requirements of LABC Chapters 16 and 17, as applicable.
- Under the LARC, an engineered design in accordance with LARC Section R301.1.3 must be submitted.
- The allowable and strength design values listed in the master evaluation report and tables are for the connection of the anchors to the concrete. The connection between the anchors and the connected members shall be checked for capacity (which may govern).

This supplement expires concurrently with the evaluation report, reissued December 2019.

DIVISION: 03 00 00—CONCRETE
Section: 03 16 00—Concrete Anchors

DIVISION 05 00 00—METALS
Section 05 05 19—Post-Installed Concrete Anchors

REPORT HOLDER:

DEWALT

EVALUATION SUBJECT:

SNAKE+™ ANCHORS IN CRACKED AND UNCRACKED CONCRETE (DEWALT / POWERS)

1.0 REPORT PURPOSE AND SCOPE

Purpose:

The purpose of this evaluation report supplement is to indicate that Powers Snake+ Anchors in Cracked and Uncracked Concrete, recognized in ICC-ES master evaluation report ESR-2272, have also been evaluated for compliance with the codes noted below.

Compliance with the following codes:

- 2017 *Florida Building Code—Building*
- 2017 *Florida Building Code—Residential*

2.0 PURPOSE OF THIS SUPPLEMENT

The Powers Snake+ Anchors in Cracked and Uncracked Concrete described in Sections 2.0 through 7.0 of the master evaluation report ESR-2272 comply with the *Florida Building Code—Building* and the *Florida Building Code—Residential*, provided the design and installation are in accordance with the 2015 *International Building Code*® (IBC) provisions noted in the master evaluation report.

Use of the Powers Snake+ Anchors in Cracked and Uncracked Concrete as described in the master evaluation report for compliance with the High-Velocity Hurricane Zone provisions of the *Florida Building Code—Building* and the *Florida Building Code—Residential*, has not been evaluated, and is outside the scope of this supplement.

For products falling under Florida Rule 9N-3, verification that the report holder's quality assurance program is audited by a quality assurance entity approved by the Florida Building Commission for the type of inspections being conducted is the responsibility of an approved validation entity (or the code official when the report holder does not possess an approval by the Commission).

This supplement expires concurrently with the evaluation report, reissued December 2019.